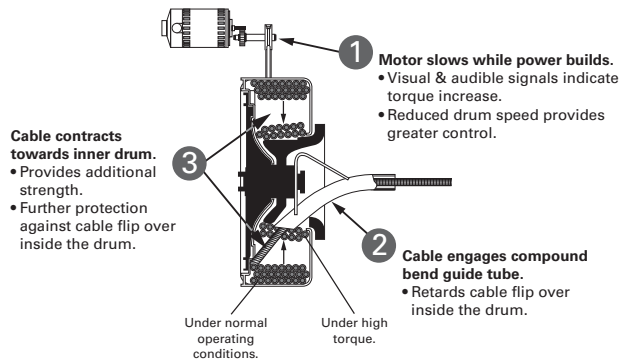


Cable Control & Performance – When Tool Engages Tough Obstructions



Accessories

| | Catalog No. | Model No. | Description | Weight | |
|--|-------------|-----------|--|--------|------|
| | | | | lb. | kg |
| | 41937 | - | RIDGID® Leather Drain Cleaning Gloves | 1/2 | 0.2 |
| | 41992 | A-75PF | C-100IC Kit with Tools, 3/4" (20 mm) x 100' (30.5 m) | 8 | 3.5 |
| | 49032 | | Front Guide Hose Assembly | 3 | 1.3 |
| | 59360 | A-3 | Tool Box | 5 | 2.3 |
| | 60032 | | AUTOFEED® Assembly | | |
| | 60037 | A-75PF | AUTOFEED® Spacers (4) | 10 | 4.5 |
| | 60042 | A-7534D | Drum Assembly w/3/4" (20 mm) Pigtail | 31 | 14.0 |
| | 60047 | A-75DR | Drum Only | 20 | 9.0 |
| | 61107 | A-7558D | Drum Assembly w/5/8" (16 mm) Pigtail | 30 | 13.6 |
| | 70032 | - | RIDGID® PVC Drain Cleaning Gloves | 1/2 | 0.2 |
| | 31487 | A-7570 | 5/8" (16 mm) Repair Splicer | 3/32 | 0.0 |
| | 31492 | A-7571 | 3/4" (20 mm) Repair Splicer | 1/8 | 0.1 |
| | 92805 | A-6582 | 5/8" (16 mm) Male Coupling | 1/16 | 0.0 |
| | 92810 | A-6583 | 5/8" (16 mm) Female Coupling | 1/8 | 0.1 |
| | 92880 | B-6840 | 3/4" (20 mm) Male Coupling | 1/16 | 0.0 |
| | 92885 | B-6841 | 3/4" (20 mm) Female Coupling | 1/8 | 0.1 |

Inner Core (IC) Cables

| | Catalog No. | Model No. | Description | Weight | |
|--------------|-------------|-----------|--------------------------------------|--------|------|
| | | | | lb | kg |
| 5/8" - 16 mm | 92460 | C-25 | 5/8" (16 mm) x 25' IC Cable (7.6m) | 24 | 10.9 |
| | 92465 | C-26 | 5/8" (16 mm) x 50' IC Cable (15.2m) | 43 | 19.5 |
| | 92470 | C-27 | 5/8" (16 mm) x 75' IC Cable (22.9m) | 63 | 28.6 |
| | 43647 | C-24 | 5/8" (16 mm) x 100' IC Cable (30.5m) | 84 | 38.1 |
| 3/4" - 20 mm | 92475 | C-28 | 3/4" (20 mm) x 25' IC Cable (7.6m) | 30 | 13.9 |
| | 92480 | C-29 | 3/4" (20 mm) x 50' IC Cable (15.2m) | 60 | 27.2 |
| | 41212 | C-75 | 3/4" (20 mm) x 75' IC Cable (22.9m) | 93 | 42.5 |
| | 41697 | C-100 | 3/4" (20 mm) x 100' IC Cable (30.5m) | 122 | 55.3 |

Hollow Core Cables

| | Catalog No. | Model No. | Description | Weight | |
|--------------|-------------|-----------|---------------------------------------|--------|------|
| | | | | lb | kg |
| 5/8" - 16 mm | 32737 | C-27HC | 5/8" (16 mm) x 75' HC Cable (23 m) | 52 3/4 | 23.9 |
| | 58192 | C-24HC | 5/8" (16 mm) x 100' HC Cable (30.5 m) | 70 1/2 | 32.1 |
| 3/4" - 20 mm | 47427 | C-75HC | 3/4" (20 mm) x 75' HC Cable (23 m) | 75 | 34.0 |
| | 47432 | C-100HC | 3/4" (20 mm) x 100' HC Cable (30.5 m) | 100 | 45.5 |

Leaders and Pig Tails

| | Catalog No. | Model No. | Description | Weight | |
|--|-------------|-----------|---|--------|-----|
| | | | | lb | kg |
| | 92555 | T-458 | 5/8" (16 mm) x 2' (50 mm) Leader | 2 | 0.9 |
| | 92560 | T-468 | 3/4" (20 mm) x 2' (50 mm) Leader | 2 3/4 | 1.3 |
| | 44122 | - | 5/8" (16 mm) Pigtail, 4 1/2' (1.4 m) Long | 2 1/2 | 1.1 |
| | 44117 | - | 3/4" Pigtail Assembly | 3 1/2 | 1.6 |

Tools and Replacement Blades – Fit 5/8" (16 mm) and 3/4" (20 mm) Cables

| | Catalog No. | Model No. | Description | Replac. Blade(s) | Replac. Holder |
|--|-------------|-----------|----------------------------------|------------------|----------------|
| | 51762 | T-409 | H-D Bulb Auger, 1 3/4" (45 mm) | - | - |
| | 92485 | T-403 | P-Trap Cutter, 3" (75 mm) | 92835 | 92900 |
| | 92490 | T-404 | P-Trap Cutter, 3 1/2" (87 mm) | 92840 | 92900 |
| | 92495 | T-406 | Spade Cutter, 1 3/4" (45 mm) | 92850 | 92915 |
| | 92500 | T-407 | Retrieving Auger 2 9/16" (65 mm) | - | - |
| | 92505 | T-408 | Sawtooth Cutter, 3" (75 mm) | 92890 | 92915 |
| | 92510 | T-411 | Double Cutter, 2" (50 mm) | 92815 | 92905 |
| | 92515 | T-412 | Double Cutter, 2 1/2" (65 mm) | 92820 | 92905 |
| | 92520 | T-413 | Double Cutter, 3" (75 mm) | 92825 | 92910 |
| | 92525 | T-414 | Double Cutter, 4" (110 mm) | 92830 | 92910 |
| | 92530 | T-416 | Double Cutter, 6" (150 mm) | 92855 | 92910 |
| | 92535 | T-432 | 3-Blade Cutter 2" (50 mm) | 92860 | 92895 |
| | 92540 | T-433 | 3-Blade Cutter 3" (75 mm) | 92865 | 92895 |
| | 92545 | T-434 | 3-Blade Cutter 4" (110 mm) | 92870 | 92895 |
| | 92550 | T-436 | 3-Blade Cutter 6" (150 mm) | 92875 | 92895 |

C-24, C-25, C-26, C-27, C-28, C-29, C-75, C-100, C-27HC, C-24HC, C-75HC and C-100HC.